



***Med-line
endoscopes***

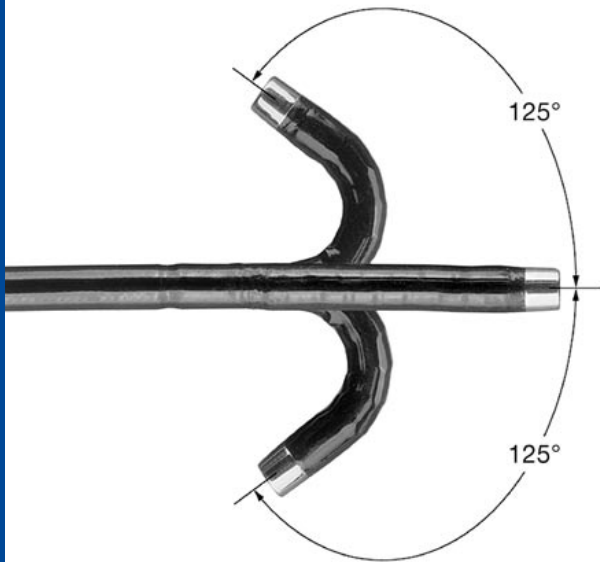


***The Ray of Light in minimal-invasive
Diagnostics and Therapy***

ENT from HSW ◀



► *Premium Endoscopes from HSW: The basis of swift progress*



This generation of the flexible nasopharyngoscope from Henke-Sass, Wolf has been newly developed in close cooperation with clinical users, with an eye to state-of-the-art production methods and technologies. The innovative features and the outstanding optical quality provide the best image for the user.

High resolution

The generation of fibre-optic technology provides brilliant detail definition at the edges of the image as well as the centre.

Recognition of even the smallest structures is thereby greatly facilitated. The natural colour rendition assists the user in better diagnosis.

High image brightness

The unique brightness – a typical feature of HSW rigid endoscopes – has been achieved for the flexible nasopharyngoscope also. In combination with an optimised glass fibre arrangement, the bright image helps ensure proper orientation.

Depth of focus

A particularly high depth of focus minimises inconvenient focusing. This not only guarantees perfect focus at the operation site itself – it also provides a sharp image of the tissue located in front of it as well behind it.

Adapters for connection to all conventional light-guides are supplied as standard.



▶ *HSW – Our Features – your Benefits*

*Brilliant high-definition image
and exceptional image bright-
ness for an optimal result:*

- ▶ High-quality, multicoated (anti-reflective) optical system
- ▶ Superb optical transmission
- ▶ Highly refractive glass for optimal colour rendering even when the image is magnified
- ▶ Extremely precise centring of the optical and mechanical components for an image that is brilliant and high-contrast even around the edges
- ▶ High-performance illumination fibres
- ▶ High-quality glass cone for optimising light transmission







*Outstanding autoclavable perfor-
mance and ultra-high durability
for a reliable and cost-efficient
application:*

- ▶ Sealing of the optical system without using adhesive or elastomers but through laser welding and a special HSW soldering process
- ▶ Use of high-quality sapphires at the distal and proximal end as well as stainless steel for the shaft and the body
- ▶ Triple tube design for higher stability with many types of endoscopes
- ▶ Nitrogen filled optical system to avoid interior condensation



Extreme bright laryngoscopes
ideal for stroboscopy.

Sinusscopes

							
<i>Diameter</i>	2.7 mm			4.0 mm			
<i>Working length</i>	approx. 195 mm			approx. 185 mm			
<i>Locking device</i>	Storz type			Storz type			
<i>Direction of view</i>	0°	30°	70°	0°	30°	45°	70°
<i>Article no. autoclavable</i>	719 725 2700	719 725 2730	719 725 2770	719 723 0409	719 723 0439	719 723 0449	719 723 0479
<i>Article no. autoclavable reversed light post</i>	-	-	-	-	719 723 1439	-	719 723 1479
							
<i>Suction/Irrigation handle</i>	701 210 4265			701 210 4265			
<i>Suction/Irrigation sheath, exchangeable</i>	701 410 2710	701 410 2745	701 410 2770	701 410 4205	701 410 4235	701 410 4245	701 410 4275

Short Sinusscopes

							
<i>Diameter</i>	2.7 mm			3.0 mm			
<i>Working length</i>	approx. 140 mm			approx. 150 mm			
<i>Locking device</i>	Storz type			Storz type			
<i>Direction of view</i>	0°	30°	70°	0°	30°	45°	70°
<i>Article no. autoclavable</i>	719 720 2700	719 720 2730	719 720 2770	719 720 0300	719 720 0330	719 720 0345	719 720 0370
							
<i>Suction/Irrigation handle</i>	701 210 4265			-			
<i>Suction/Irrigation sheath, exchangeable</i>	701 210 2710	701 210 2745	701 210 2770	-	-	-	-

Otosopes

							
<i>Diameter</i>	1.9 mm		2.7 mm			4.0 mm	
<i>Working length</i>	approx. 100 mm		approx. 75 mm			approx. 50 mm	
<i>Locking device</i>	Storz type		Storz type			Storz type	
<i>Direction of view</i>	0°	30°	0°	30°	70°	0°	30°
<i>Article no. autoclavable</i>	719 520 1900	719 520 1930	719 520 2700	719 520 2730	719 520 2770	–	–
<i>Article no. non-autoclavable</i>	–	–	–	–	–	719 510 4000	719 510 4030

Laryngoscopes

				
<i>Diameter</i>	4 mm	6 mm	10 mm	
<i>Working length</i>	approx. 185 mm	approx. 160 mm	approx. 160 mm	
<i>Direction of view</i>	70°	70°	70°	90°
<i>Article no. autoclavable</i>	719 223 0470	830 000 0036	719 220 1075	719 220 1095
<i>Article no. autoclavable HM = High Magnification</i>	–	830 000 0035	–	–

Nasopharyngoscope, flexible

	
<i>Diameter</i>	3.6 mm
<i>Working length</i>	approx. 300 mm
<i>Bending range of distal tip</i>	125° up / down
<i>Direction of view</i>	0°
<i>Article no. non- autoclavable</i>	690 300 3600



Henke-Sass, Wolf GmbH

Keltenstrasse 1
78532 Tuttlingen
Germany

Tel.: +49 (0) 74 62/94 66-0
Fax: +49 (0) 74 62/94 66-5000
E-Mail: info@henkesasswolf.de
www.henkesasswolf.de